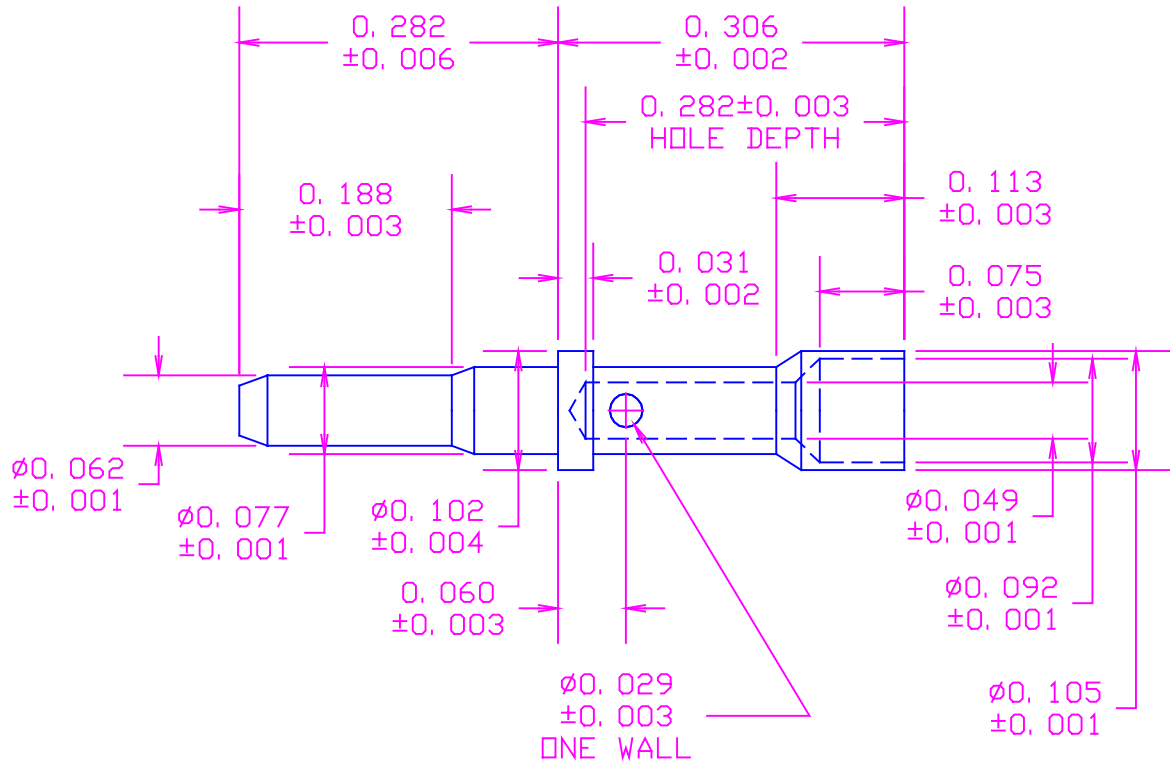


DATE	SYM	REVISION	RECORD	AUTH.	DR.	CK.
4/13/99	-	ISSUED			NT	DG



MATERIAL: BRASS PER ASTM B16  
 ALLOY C36000, 1/2 HARD  
 FINISH: .000010"MIN. GOLD PER MIL-G-45204,  
 TYPE II, GRADE C, OVER .000050"MIN. NICKEL

ACTUAL SIZE



TOLERANCES	CONCORD ELECTRONICS CORPORATION		
DECIMAL ± .005	P/N	SCALE	30 GREAT JONES ST. NEW YORK N. Y. 10012
FRACTIONAL ± 1/64	TITLE PLUG-.062 PIN M.S.3190		
± 5°	DATE 4/13/99	DRAWING NUMBER 09-8086-1-03	